



Digital crane scale KGW

The crane scale for extreme foundry applications

Equipped with:

- ✓ Heat protection
- ✓ Integrated overload protection
- ✓ Infrared remote control
- ✓ Quick charge battery & charger



Website &
product video

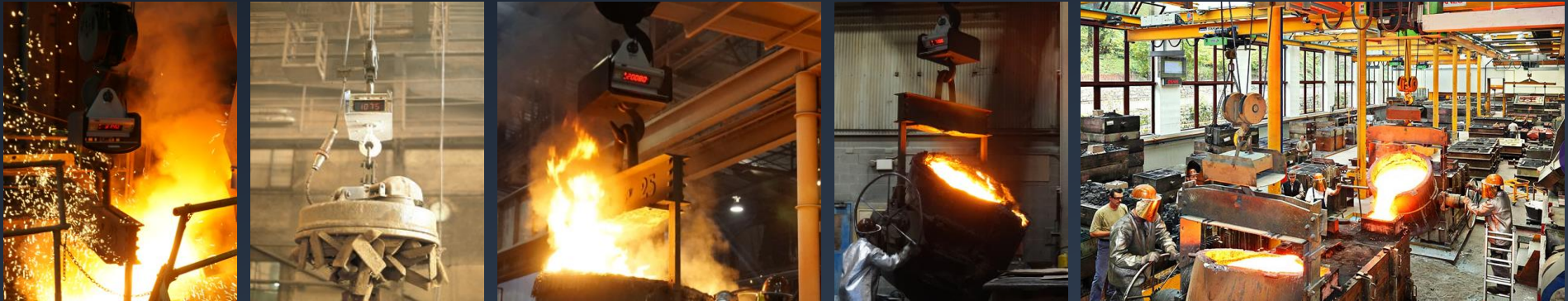


Digital crane scale KGW



- ✓ Especially developed for extreme foundry applications:
Weighing up to 1,600°C hot material possible, shock-resistant design
- ✓ Protected against shock load
- ✓ Casting speed function (kg/sec) - simplifies work processes
- ✓ Quick change battery & charger included - battery life up to 120h
- ✓ High-quality and approved hooks and shackles
- ✓ Special designs possible
(e.g. headroom reduction, special hooks, crane-specific adaptations)
- ✓ Flexible in use and extendable at any time with our crane scale accessories

Examples of use



Fields of application: Foundries, melting shops, charging processes, charging in connection with electro magnets, spheroidal graphite iron or nodular & grey cast iron

Why EHP? Advantages of our crane scales

Easy to read display

Above-average size - high contrast LED display

No weighing errors

Highest measuring accuracy of 0.03% of the total load

Best quality

Made in Germany – with 3-year guarantee on accuracy and function of load cell

Efficient weighing

Prompt & exact results due to the integrated measuring process, no further tare limit

Everything included

Each crane scale is equipped with an infrared remote control with >30m transmission range, lifting gear, hooks, battery and charger

Comprehensive Service

We are a reliable partner for you, even after years of use - regardless whether it concerns calibration, repairs or spare parts

Expandable

All crane scales can be extended with numerous weighing data receivers - even retrospectively!



Absolutely safe

EHP crane scales have a mechanical safety factor of 5: 1, all hoist assemblies and chain components are type-tested

Transport & weighing

Compared to other manufacturers, our scales are not only approved for pure weighing. Due to the high safety standard, goods can also be transported with our crane scales (according to EN 13155)

Uninterruptible operation

Each EHP crane scale is equipped with an exchangeable battery pack - within seconds a spare battery pack can be inserted and work can continue

Audited

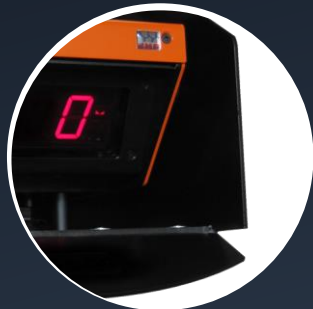
All hoist assemblies and chain components are type-tested and manufactured by renowned brand manufacturers

Tested

All our scales are calibrated on our DAkkS-accredited test stands. Optionally and free of charge, we will be happy to issue a calibration certificate for your new crane scale



Digital crane scale



Surrounding heat protection



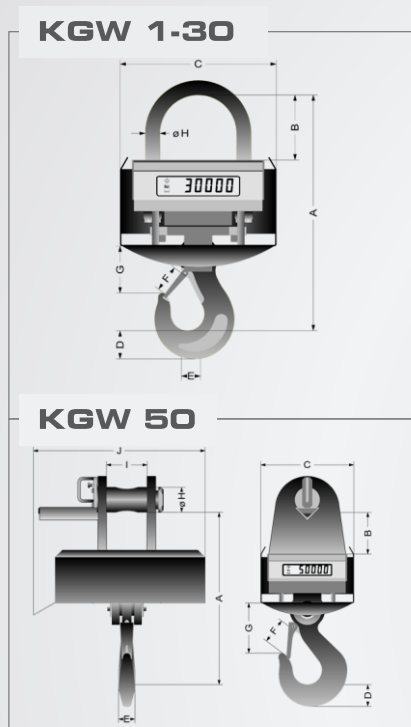
High quality hook and shackle



50mm large and illuminated display



Digital crane scale KGW



Modell	A	B	C	D	E	F	G	H	I	J
KGW 1	597	150	390	50	40	45	188	46	-	640
KGW 2	597	150	390	50	40	45	188	46	-	640
KGW 5	597	150	390	50	40	45	188	46	-	640
KGW 10	568	150	390	64	61	75	138	46	-	640
KGW 20	852	232	558	89	78	85	177	52	-	873
KGW 30	852	232	558	89	78	85	177	52	-	873
KGW 50	845	250	558	150	99	138	262	150	245	1023
KGW 100	KGW 100 to KGW 200 are manufactured according to individual customer requirements									
KGW 150										
KGW 200										

All dimensions in mm

Crane scale accessories



Teledata



USB Box



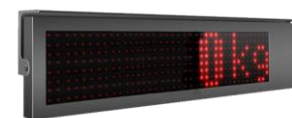
Scale Control



DRC 433



Telebox PLC



Large display

All digital crane scales KGW can also be retrofitted with our crane scale accessories

Digital crane scale KGW

The crane scale for extreme foundry applications

Model	Weighing range	Scale weight	Readability d
KGW 1	0 - 1,000 kg	97 kg	0.5 kg
KGW 2	0 - 2,000 kg	97 kg	1 kg
KGW 5	0 - 5,000 kg	97 kg	2 kg
KGW 10	0 - 10,000 kg	103 kg	5 kg
KGW 20	0 - 20,000 kg	268 kg	10 kg
KGW 30	0 - 30,000 kg	268 kg	10 kg
KGW 50	0 - 50,000 kg	660 kg	20 kg
KGW 100	0 - 100,000 kg	1200 kg*	50 kg
KGW 150	0 - 150,000 kg	1,500 kg*	100 kg
KGW 200	0 - 200,000 kg	1,700 kg*	100 kg

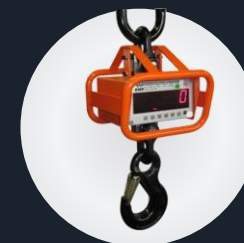
*Scale weight varies depending on custom design



About us

EHP is a medium-sized german company with representations all over the world. We are crane scales and load cell specialists with own development, production and a comprehensive service area - all made in Germany since 1979.

With more than 24,000 scales in active use worldwide, we are one of the market leaders. Our customers appreciate our quick response and the willingness to find always the right weighing solution.



www.ehp.de

REFERENCES



Our crane scales, weighing data receiving units & load cells are used by:

			<p>and many other companies...</p>

